

DS-2CD2955FWD-IS 5 MP Network Fisheye Camera

H.265+



- Up to 5 MP High Resolution
- Full 2560 × 1920 @30 fps
- H.265+, H.265, H.264+, H.264
- 14 Display Modes Supported
- Field of View: Horizontal 180°, Vertical 180°
- 120 dB Wide Dynamic Range
- 3D Digital Noise Reduction
- 12 VDC and PoE (802.3af)
- EXIR 2.0 with up to 30 ft (8 m) IR range
- MicroSD Card Slot Supports up to 128 GB
- Audio and Alarm Inputs and Outputs

The Hikvision DS-2CD2955FWD-IS offers a full 180 degree horizontal or vertical view in a compact package. Ceiling mounting or wall mounting for flexible installation options. The 30 ft (8 m) IR range provides well lit images in low light conditions.

Video analysis includes intrusion detection and line crossing detection.

Available Models:

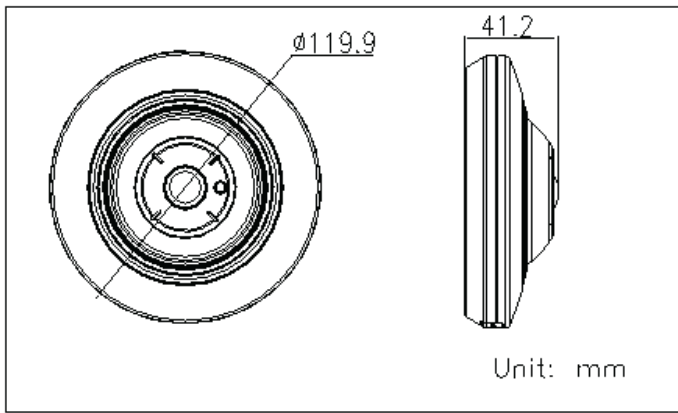
DS-2CD2955FWD-IS







Specifications

DS-2CD2955FWD-IS		
Camera		
Image Sensor	1/2.5" progressive scan CMOS	
Minimum Illumination	Color: 0.033 lux @ (f/2.2, AGC on), 0 lux with IR on	
Shutter Speed	1/3 s to 1/100,000 s, support slow shutter	
Lens	1.05 mm @ f/2.2, horizontal field of view: 180°, vertical field of view: 180°	
Lens Mount	M12	
Day/Night	IR cut filter with auto switch	
DNR	3D DNR	
Wide Dynamic Range	120 dB	
Compression Standard		
Video Compression	Main stream: H.265+/H.265/H.264+/H.264; sub stream: H.265+/H.265/H.264+/H.264/MJPEG; third stream: H.265+/H.265/H.264+/H.264	
H.264 Type	Main Profile/High Profile	
H.264+	Supported	
H.265 Type	Main Profile	
H.265+	Supported	
Video Bit Rate	32 Kbps to 16 Mbps	
Audio Compression	G.711/G.722.1/G.726/MP2L2	
Audio Bit Rate	64 Kbps (G.711)/16 Kbps (G.722.1)/16 Kbps (G.726)/32–128 Kbps (MP2L2)	
Image		
Maximum Image Resolution	2560 x 1920	
Maximum Frame Rate	Main Stream	30 fps (2560 x 1920, 2048 x 1536, 1280 x 960)
	Sub Stream	30 fps (352 x 240, 704 x 576)
Image Settings	Saturation, brightness, contrast, and sharpness are adjustable via client software or Web browser	
Image Enhancement	WDR/3D DNR/Backlight Compensation/Defog	
Day/Night Switch	Auto/Schedule/Triggered by Alarm In	
Region of Interest	1 fixed region for each stream supported	
Lens Distortion Correction	Supported	
Target Cropping	Supported	
Live View Display		
Mount Type	Supports table, wall, and ceiling	
Display Mode	Supports 14 display modes in total (including display modes of different mount types): Fisheye view, 180 Panorama view, 4PTZ, Fisheye + 3PTZ, 360 Panorama view, 360 Panorama + PTZ, 360 Panorama + 3PTZ, 360 Panorama + 6PTZ, 360 Panorama + 8PTZ, 2PTZ, Fisheye + 8PTZ, Panorama view, Panorama + 3PTZ, Panorama + 8PTZ	
Audio		
Environment Noise Filtering	Supported	
Audio I/O	Supported	
Sampling Rate	Maximum 48 kHz	
Network		
Network Storage	NAS (supports NFS, SMB/CIFS)	
Alarm Trigger	Video tampering alarm, HDD full, HDD error, network disconnected, IP address conflicted, illegal login	
Detection	Motion detection, dynamic analysis, intrusion detection, line crossing detection	
Protocols	TCP/IP, ICMP, HTTP, HTTPS, FTP, DHCP, DNS, DDNS, RTP, RTSP, RTCP, PPPoE, NTP, UPnP, SMTP, SNMP, IGMP, 802.1x, QoS, IPv6, Bonjour user authentication, watermark, IP address filtering, anonymous access	
Standards	ONVIF (PROFILE S, PROFILE G), PSIA, CGI, ISAPI	
General Function	One-key reset, anti-flicker, password protection, privacy mask, IP address filtering, heartbeat, watermark	
Interface		
Communication Interface	1 RJ-45 10M/100M Ethernet port	
Audio	1 audio input (line in), 1 audio output interface	
Alarm	1 alarm input, 1 alarm output (24 VDC, 1 A or 110 VAC, 500 mA, maximum)	
Onboard Storage	Built-in microSD/SDHC/SDXC slot, up to 128 GB	
General		
Operating Conditions	-14° to 104° F (-10° to 40° C), humidity 95% or less (non-condensing)	
Power Supply	12 VDC, 0.5 A, maximum 6 W; PoE (802.3af 36 to 57 V), 0.2 to 0.1 A, 7.5 W	
IR Range	Up to 30 ft (8 m)	
Dimensions	Ø4.72" x 1.62" (Ø119.9 mm x 41.2 mm)	
Weight	1.32 lbs (600 g)	

Dimensions



Accessories

NOT INCLUDED			
			
PP1 Pendant Mounting Bracket	PP2 Pendant Mount	AB-FE2 Angled Base	WM-C Wall Mount