

## DS-2AE4215TI-D(E) 2 MP IR Turbo 4-Inch Speed Dome



Hikvision DS-2AE4215TI-D(E) IR Turbo 4-Inch Speed Dome is able to capture high quality images in poor light environment. The black anti-reflective glass increases the luminousness which helps IR distance reach up to 100 m.

The embedded CMOS chip makes WDR, and real-time 1920 × 1080 resolution possible. With the help of the 15× optical zoom, and IR cut filter, the camera offers more details over an expansive area.

- 1/2.8" HD progressive scan CMOS
- 1920 × 1080 resolution
- 15× optical zoom, 16× digital zoom
- 120 dB true WDR (Wide Dynamic Range)
- Up to 100 m IR distance
- 3D intelligent positioning
- Switchable TVI/AHD/CVI/CVBS video output



## Specification

<b>Camera</b>	
Model	DS-2AE4215TI-D(E)
Image Sensor	1/2.8" progressive scan CMOS
Max. Image Resolution	1920 × 1080
Frame Rate	50Hz: 25fps @(1920 × 1080) 60Hz: 30fps @(1920 × 1080)
Min. Illumination	Color: 0.005 Lux @(F1.6, AGC ON) B/W: 0.001 Lux @(F1.6, AGC ON) 0 lux with IR
White Balance	AUTO/MANUAL/HAUTO/ATW/INDOOR/OUTDOOR
AGC	AUTO/MANUAL
DNR	3D DNR
WDR	≥ 120 dB
Shutter Time	PAL: 1/1 s to 1/10,000 s NTSC: 1/1 s to 1/10,000 s
Day & Night	IR cut filter
Digital Zoom	16×
Privacy Mask	8 programmable privacy masks
BLC (Backlight Compensation)	Yes
HLC (highlight Compensation)	Yes
EIS (Electric Image Stabilization)	Yes
Regional Focus	Yes
<b>Lens</b>	
Focus Mode	Auto/Semiauto/Manual
Focal Length	5 mm to 75 mm, 15× Optical
Aperture Range	F 1.6 to F 3.5
Horizontal Field of View	53.8° to 4.0° (wide-tele)
Min. Working Distance	10 mm to 1500 mm (wide to tele)
Zoom Speed	Approx. 2.4 s (optical, wide to tele)
<b>Pan and Tilt</b>	
Pan Range	360° endless
Pan Speed	Pan manual speed: 0.1° to 80°/s Pan preset speed: 80°/s
Tilt Range	-15° to 90° (auto flip)
Tilt Speed	Tilt manual speed: 0.1° to 80°/s Tilt preset speed: 80°/s
Proportional Zoom	Rotation speed can be adjusted automatically according to zoom multiples
Presets	256
Patrol	10 patrols, up to 32 presets per patrol
Pattern	5 patterns, with the total recording time no less than 10 minutes
Power-off Memory	Yes

Park Action	Preset/Patrol/Pattern/Pan Scan/Tilt Scan/Panorama Scan/Day Mode/Night Mode/None
PTZ Position Display	ON/OFF
Preset Freezing	Yes
Scheduled Task	Preset/Patrol/Pattern/Pan Scan/Tilt Scan/Panorama Scan/Day Mode/Night Mode/Zero Calibration/None
<b>Infrared</b>	
IR Distance	Up to 100 m
IR Intensity	Automatically adjusted depending on the zoom ratio
<b>Input/Output</b>	
Video Output	Switchable TVI/AHD/CVI/CVBS video output, (NTSC or PAL composite, BNC)
RS-485 Interface	Half-duplex mode Self-adaptive HIKVISION, Pelco-P, Pelco-D protocol
UTC function	UTC protocol (or HIKVISION-C protocol in previous DVR)
<b>General</b>	
Menu Language	English
Power	12 VDC Max.20 W (IR:7 W)
Working Temperature	-30° C to 65° C (-22° F to 149° F)
Working Humidity	90% or less
Protection Level	IP66 standard (outdoor dome) TVS 4,000 V lightning protection, surge protection and voltage transient protection
Mounting	Various mounting modes optional
Dimension	Ø 164.5 mm × 295 mm (Ø 6.47" × 11.61")
Weight (approx.)	2Kg (4.41lb.)

## Order Model

DS-2AE4215TI-D(E)

## Typical Application

Hikvision products are classified into three levels according to their anti-corrosion performance. Refer to the following description to choose for your using environment.

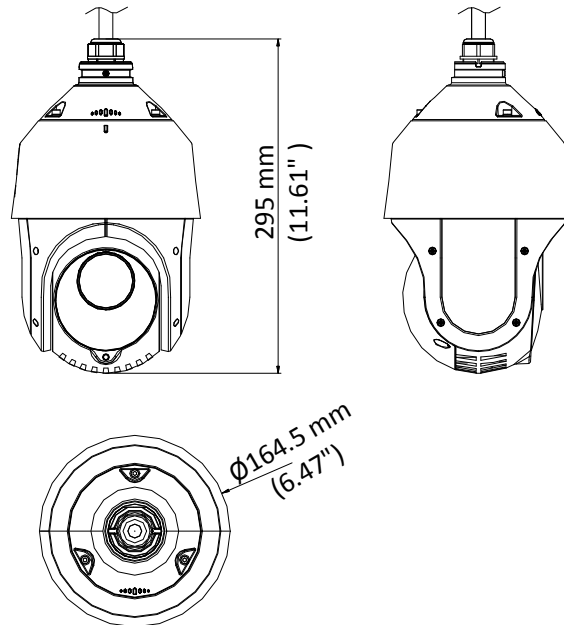
This model has NO SPECIFIC PROTECTION.

Level	Description
Top-level protection	Hikvision products at this level are equipped for use in areas where professional anti-corrosion protection is a must. Typical application scenarios include coastlines, docks, chemical plants, and more.
Moderate protection	Hikvision products at this level are equipped for use in areas with moderate anti-corrosion demands. Typical application scenarios include coastal areas about 2 kilometers (1.24 miles) away from coastlines, as well as areas affected by acid rain.
No specific protection	Hikvision products at this level are equipped for use in areas where no specific anti-corrosion protection is needed.

## Order Model

DS-2AE4215TI-D(E)

## Dimension



Distributed by



## HIKVISION®

### Headquarters

No.555 Qianmo Road, Binjiang District,  
Hangzhou 310051, China  
T +86-571-8807-5998  
overseasbusiness@hikvision.com

**Hikvision USA**  
T +1-909-895-0400  
sales.usa@hikvision.com

**Hikvision Australia**  
T +61-2-8599-4233  
salesau@hikvision.com

**Hikvision India**  
T +91-22-28469900  
sales@pramahikvision.com

**Hikvision Canada**  
T +1-866-200-6690  
sales.canada@hikvision.com

**Hikvision Thailand**  
T +662-275-9949  
sales.thailand@hikvision.com

**Hikvision Europe**  
T +31-23-5542770  
sales.eu@hikvision.com

**Hikvision Italy**  
T +39-0438-6902  
info.it@hikvision.com

**Hikvision Brazil**  
T +55 11 3318-0050  
Latam.support@hikvision.com

**Hikvision Turkey**  
T +90 (216)521 7070- 7074  
sales.tr@hikvision.com

**Hikvision Malaysia**  
T +601-7652-2413  
sales.my@hikvision.com

**Hikvision UK & Ireland**  
T +01628-902140  
sales.uk@hikvision.com

**Hikvision South Africa**  
Tel: +27 (10) 0351172  
sale.africa@hikvision.com

**Hikvision France**  
T +33(0)1-85-330-450  
info.fr@hikvision.com

**Hikvision Kazakhstan**  
T +7-727-9730667  
nikia.panfilov@hikvision.ru

**Hikvision Vietnam**  
T +84-974270888  
sales.vt@hikvision.com

**Hikvision UAE**  
T +971-4-4432090  
salesme@hikvision.com

**Hikvision Singapore**  
T +65-6684-4718  
sg@hikvision.com

**Hikvision Spain**  
T +34-91-737-16-55  
info.es@hikvision.com

**Hikvision Tashkent**  
T +99-87-1238-9438  
uzb@hikvision.ru

**Hikvision Hong Kong**  
T +852-2151-1761  
info.hk@hikvision.com

**Hikvision Russia**  
T +7-495-669-67-99  
saleru@hikvision.com

**Hikvision Korea**  
T +82-(0)31-731-8817  
sales.korea@hikvision.com

**Hikvision Poland**  
T +48-22-460-01-50  
info.pl@hikvision.com

**Hikvision Indonesia**  
T +62-21-2933759  
Sales.Indonesia@hikvision.com

**Hikvision Colombia**  
sales.colombia@hikvision.com

## Accessory

### Optional



DS-1602ZJ  
Wall Mount



DS-1602ZJ-Conner  
Conner Mount



DS-1602ZJ-Pole  
Pole Mount



DS-1602ZJ-Box  
Box Mount



DS-1663ZJ  
Ceiling Mount



DS-1661ZJ  
Pendant Mount



DS-1662ZJ  
Pendant Mount



DS-1619ZJ  
Swan-neck Mount

### Included



DS-1618ZJ  
Wall mount(short arm)

Distributed by



## HIKVISION®

### Headquarters

No.555 Qianmo Road, Binjiang District,  
Hangzhou 310051, China  
T +86-571-8807-5998  
overseasbusiness@hikvision.com

**Hikvision USA**  
T +1-909-895-0400  
sales.usa@hikvision.com

**Hikvision Australia**  
T +61-2-8599-4233  
salesau@hikvision.com

**Hikvision India**  
T +91-22-28469900  
sales@pramahikvision.com

**Hikvision Canada**  
T +1-866-200-6690  
sales.canada@hikvision.com

**Hikvision Thailand**  
T +662-275-9949  
sales.thailand@hikvision.com

**Hikvision Europe**  
T +31-23-5542770  
sales.eu@hikvision.com

**Hikvision Italy**  
T +39-0438-6902  
info.it@hikvision.com

**Hikvision Brazil**  
T +55 11 3318-0050  
Latam.support@hikvision.com

**Hikvision Turkey**  
T +90 (216)521 7070- 7074  
sales.tr@hikvision.com

**Hikvision Malaysia**  
T +601-7652-2413  
sales.my@hikvision.com

**Hikvision UK & Ireland**  
T +01628-902140  
sales.uk@hikvision.com

**Hikvision South Africa**  
Tel: +27 (10) 0351172  
sale.africa@hikvision.com

**Hikvision France**  
T +33(0)1-85-330-450  
info.fr@hikvision.com

**Hikvision Kazakhstan**  
T +7-727-9730667  
nikia.panfilov@hikvision.ru

**Hikvision Vietnam**  
T +84-974270888  
sales.vt@hikvision.com

**Hikvision UAE**  
T +971-4-4432090  
salesme@hikvision.com

**Hikvision Singapore**  
T +65-6684-4718  
sg@hikvision.com

**Hikvision Spain**  
T +34-91-737-16-55  
info.es@hikvision.com

**Hikvision Tashkent**  
T +99-87-1238-9438  
uzb@hikvision.ru

**Hikvision Hong Kong**  
T +852-2151-1761  
info.hk@hikvision.com

**Hikvision Russia**  
T +7-495-669-67-99  
saleru@hikvision.com

**Hikvision Korea**  
T +82-(0)31-731-8817  
sales.korea@hikvision.com

**Hikvision Poland**  
T +48-22-460-01-50  
info.pl@hikvision.com

**Hikvision Indonesia**  
T +62-21-2933759  
Sales.Indonesia@hikvision.com

**Hikvision Colombia**  
sales.colombia@hikvision.com