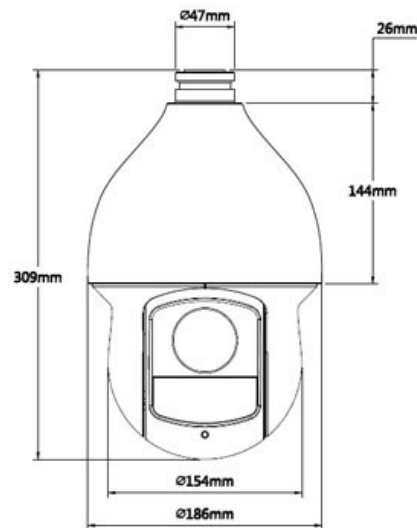


CP- UNP-E3041L15-DAP**4MP 30x WDR IR Network PTZ Camera - 150 Mtr.****Main Features**

- 1/3" 4MP CMOS Image sensor
- Max. 25/30fps@4M, 50/60fps@1080P resolution
- Powerful 30x Optical and 16x Digital zoom
- H.265 Encoding
- WDR(120dB), Day/Night (ICR), 3D-DNR, EIS, ROI, Defog, AGC, BLC, HLC
- Up to 300 Presets, 8 Tour, 5 Pattern, Auto scan, Auto Pan
- Max 400°/s pan speed, 360° endless pan rotation
- Built-in 2/1 alarm in/out, IP66, PoE+ , Micro SD, 150 Mtr. IR
- Mobile Software: iCMOB, gCMOB
- CMS Software: KVMS Pro, vOptimus Pro



CP- UNP-E3041L15-DAP

4MP 30x WDR IR Network PTZ Camera - 150 Mtr.



Feature

Image Sensor

Effective Pixels

S/N Ratio

Minimum Illumination

Focal Length

Focus Control

White Balance

Close Focus Distance

Angle of View

Electronic Shutter

AGC control

Back Light Compensation

Optical Zoom

Digital Zoom

Pan Travel

Tilt Travel

Presets

Preset Speed

Privacy Masking

Special Features

Power up Action

Idle Motion

Day/Night: IR Cut Filter

Video Compression

Video Streaming

Audio Compression

Audio Streaming

Auto Tracking

IVS

Specification

1/3" CMOS

2592(H) x 1520(V), 4 Megapixels

More than 55dB

Color: 0.01Lux@F1.6; 0Lux@F1.6(IR on)

4.5mm ~ 135.0mm

Auto / Manual

Auto, ATW, Indoor, Outdoor, Manual

100mm~ 1000mm

H: 60° ~ 2.2°

1/1s ~ 1/30,000s

Auto / Manual

BLC / HLC / WDR (120dB)

30x

16x

0° ~ 360° endless, Pan Speed: 0.1° ~ 300°/sec

-15° ~ 90°, auto flip 180°, Tilt Speed: 0.1° ~ 200°/sec

300

Pan: 400° /s; Tilt: 300° /s

Up to 24 areas

IR Range of 150 Mtr., Defog, ROI, EIS, Up to 300 Presets, 8 Tour, 5 Pattern, Auto scan, Auto Pan

Auto restore to previous PTZ and lens status after power failure

Activate Preset/ Pan/ Scan/ Tour/ Pattern if there is no command in the specified period

Auto (ICR) / Color / B/W

H.265+/H.265/H.264+/H.264

Main stream: 4M/3M(1~25/30fps), 1080P/1.3M/ 720P(1~50/60fps), Sub stream1: D1/CIF(1 ~ 25/30fps), Sub stream2: 4M/1080P/1.3M/720P/D1/CIF (1~25/30fps)

G.711a/G.711Mu/AAC/G.722 / G.726/G.729/MPEG2-L2

1/1 channel In/Out

Support

Tripwire, Intrusion, Abandoned/Missing, Face Detection, Heat Map



CP- UNP-E3041L15-DAP**4MP 30x WDR IR Network PTZ Camera - 150 Mtr.****Feature**

Networking

Protocols

Alarm

Max Remote Users

Operating Temperature

Smart Phone

Memory Slot

Weather Proof Standard

Dimension

Weight

Power Source

Power Consumption

Specification

RJ-45 (10Base-T/100Base-TX)

IPv4/IPv6, HTTP, HTTPS, SSL, TCP/IP, UDP, UPnP, ICMP, IGMP, SNMP, RTSP, RTP, SMTP, NTP, DHCP, DNS, PPPOE, DDNS, FTP, IP Filter, QoS, Bonjour, 802.1x, ONVIF, PSIA, CGI

2/1 channel In/Out

20 users

-40°C ~ 70°C (-40°F ~ +158°F) / Less than 95% RH

iPhone, iPad, Android Phone

Micro SD, Max 128GB

IP66

Φ186mm × 309mm

3.5 kg

AC24V/3A(±10%), PoE+(802.3at)

13W, 23W (IR on)