

# CP-UNC-EE51L1C-VMD

## 5MP Full HD Panoramic Network IR Fisheye Camera

- 1/2.7" 5MP progressive scan CMOS Image Sensor (0.9407cm)
- H.265+ and H.264+ triple-stream encoding
- Max. 25fps@5MP(2592×1944)
- WDR(120dB), Day/Night (ICR), 3D-DNR, ROI, AWB, AGC, BLC, HLC
- 1.4mm fixed lens
- Built-in Mic, Micro SD Card, PoE
- IR Range of 10 Mtr.
- Mobile Software: iCMOB, gCMOB
- CMS Software: KVMS Pro



### System Overview

This Fisheye series has been crafted using the Panomorph technology, which is a revolutionary 360° solution to various applications. There are two major components that make the Panomorph technology a potential leader in its field, which are the patented Panomorph optics and the viewing functionality for optimal 360° image quality. The Panomorph technology helps remove distortion from magnified zones and the viewing functionality enables the complete 360° immersive navigation within a live or recorded video.

### Functions

#### Wide Dynamic Range (WDR)

When a scene is partly dark and partly bright, that is the dynamic range that distorts images due to this difference in the lighting. WDR technology provides you balanced lighting for a clear and vivid image throughout the day. WDR technology can be installed at entry/exit points of any building structure, jewelry shops, outdoor location among so many other places.



## CP-UNC-EE51L1C-VMD

5MP Full HD Panoramic Network IR Fisheye Camera

### Functions

#### Smart Analytical Support

Using an advanced algorithm, smart analytical technology lets you set a multitude of safety parameters and sends you alerts when any of those parameters have been compromised. Not just when there's an occurrence of tripwire or intrusion, but also in the cases of missing or abandoned objects.

#### Live Viewing

Unlike some, this technology enables you to record the picture feed but view it live as well at your convenience. On top of that, the advantages of high-resolution video recording are numerous.

#### True Day/Night (ICR)

When the scene is too dark, the image is captured by illuminating an infrared light through the camera onto the scene that greatly helps with making the scene visible for the lens. It delivers color images during the day and automatically switches to the monochrome feature as the scene darkens.

#### Regions of interest

Regions of Interest (ROI) is a user defined feature that allows the operator to monitor specific areas of a scene while still maintaining overall situational awareness of less important areas.

#### gCMOB/ iCMOB

Designed to allow users to access and control live streaming from CP PLUS IP Cameras, DVRs/ NVRs and Video Door Phones, the CP PLUS gCMOB/ iCMOB application offers a host of features such as Easy GUI, up to 16 live viewing split-ups; InstaOn cloud support; Playback; digital zoom ins; two-way talk, and more.

### About CP PLUS

The brand that is on its way to lead the world when it comes to the security and surveillance industry, CP PLUS, keeps bombarding the market with the most reliable range of products that have been designed carefully and methodically to automate the whole surveillance and security process, no matter how big your premises are.

It was the initiative to help the public in the area where they are the most vulnerable and to empower the sense of safety in our hearts that had conceptualized CP PLUS. And embarking on its mission to make the world a safer and more secure place has taken the brand's journey to unprecedented levels even when compared to international competitors.



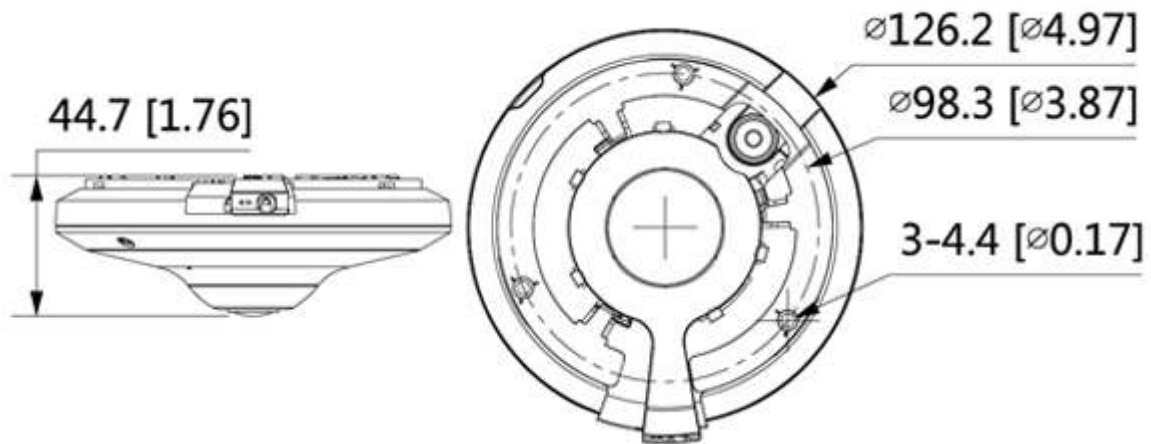
# CP-UNC-EE51L1C-VMD

## 5MP Full HD Panoramic Network IR Fisheye Camera

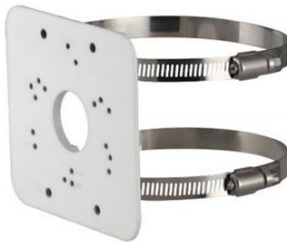
Feature	Specification
Image Sensor	1/2.7" 5MP progressive scan CMOS (0.9407cm)
Minimum Illumination	0.006 Lux@F2.0 (Color, 30IRE) 0.0006 Lux@F2.0 (B/W, 30IRE) 0 Lux (IR on)
Effective Pixels	2592(H) x 1944(V)
Shutter Speed	Auto/Manual, 1/3~1/100000s
White Balance	Auto/natural/street lamp/outdoor/manual/regional custom
Lens	1.4mm
Lens Type	Fixed-focal
Mount Type	M12
Max. Aperture	F2.0
DORI Distance	28m (Detect) 11.2m (Observe) 5.6m (Recognize) 2.8m (Identify)
Gain Control (AGC)	Auto/Manual
Angle of View	H: 180°, V: 180°, D: 180°
Back Light Compensation	BLC / HLC / WDR(120dB)
Video Compression	H.265+/H.265/H.264+/H.264/H.264H/MJPEG (Sub Stream)
Video Streaming	Main stream (2592 × 1944 @1–25/30 fps) sub stream (704 × 576 @1–25 fps/704 × 480@1–30 fps) third stream (1280 × 720 @1–25/30 fps)
Resolution	5MP (2592 × 1944); 3MP (2048 × 1536); UXGA (1600 × 1200); 1.3M (1280 × 960); 720P (1280 × 720); D1 (704 × 576/704 × 480); VGA (640 × 480); CIF (352 × 288/352 × 240)
S/N Ratio	>56dB
Motion detection	Off / On (4 Zone, Rectangle)
Privacy Mask	Off / On (4 Area, Rectangle)
ICR	Auto (ICR) / Color / B/W
ROI	Off / On (4 Zone)
Audio Input	1 Ch.
Audio Output	1 Ch.
Audio Compression	PCM; G.711a; G.711Mu; G726

Feature	Specification
Audio	Built-in Mic
Alarm IN	1 channel in: 5mA 3V–5V DC
Alarm Out	1 channel Out: 300mA 12VDC
Bit Rate	H.264: 3 kbps–8192 kbps H.265: 3 kbps–8192 kbps
SDK and API	Yes
People Counting	Support people counting in area, and displaying and outputting yearly/monthly/daily reports (matching devices are needed); support people counting in 4 areas
Intelligent Search	Work together with Smart NVR to perform refine intelligent search, event extraction and merging to event videos.
Alarm Event	No SD card; SD card full; SD card error; service life warning (supported by Dahua card); network disconnection; IP conflict; illegal access; motion detection; video tampering; tripwire; intrusion; scene changing; audio detection; voltage detection; external alarm; people counting in area; stay alarm; people counting; people No. exception detection; safety exception
Cyber Security	Video encryption; firmware encryption; configuration encryption; Digest; WSSE; account lock-out; security logs; IP/MAC filtering; generation and importing of X.509 certification; syslog; HTTPS; 802.1x; trusted boot; trusted execution; trusted upgrade
Protocol	IPv4; IPv6; HTTP; TCP; UDP; ARP; RTP; RTSP; RTCP; RTMP; SMTP; FTP; SFTP; DHCP; DNS; DDNS; QoS; UPnP; NTP; Multicast; ICMP; IGMP; NFS; PPPoE; SNMP; ONVIF (Profile S/Profile G/Profile T); CGI; Milestone; Genetec; InstaOn
Smart Detection	Tripwire ,Intrusion, Heat map
Ethernet	RJ-45 (100/1000Base-T)
User Account	20 (Total bandwidth: 64 M)
IR	IR Range of 10 Mtr., Smart IR
Smart Phone	iPhone, iPad, Android Phone
Micro SD	FTP; SFTP; Micro SD card (support max. 256 G); NAS
Operating Temperature	-10° C ~ +50° C (14° F ~ +122° F) / Less than 95% RH
Storage Temperature	-40°C to +60°C (-40°F to +140°F)
Power Source	DC12V, PoE(802.3af)
Power Consumption	Basic power consumption: 3.6W (12V DC); 4.4W (PoE) Max. power consumption (H.265 + IR on+ intelligent function + WDR): 7.3W (12V DC); 8.8W
Casing	Metal +Plastic
Dimension	44.6 mm × Φ126.2 mm (1.8" × Φ5.0")
Weight	299g

Dimensions (mm/inch)



Accessories : Optional



CP-UA-B2P  
Pole Mount



CP-UA-B06DW  
Wall Mount