

CP-UNC-DA41PL3C-D

4MP WDR IR Network Dome Camera - 30Mtr.

- 1/3" 4MP PS CMOS Image Sensor (0.84667cm)
- Max. 4MP (2560 × 1440)@25/30fps, and 4MP (2688 × 1520)@20fps
- Smart H.265+ and Smart H.264+ dual-stream encoding
- WDR(120dB), Day/Night (ICR), 3D-NR, ROI, AWB, AGC, BLC, HLC
- 3.6mm fixed lens (2.8mm Optional)
- Support Built-in Mic
- IR Range of 30 Mtrs, IP67, PoE
- Mobile Software: iCMOB, gCMOB
- CMS Software: KVMS Pro



System Overview

With features of simple installation, easy operation, and high performance-cost ratio, This Series camera is applicable to small and medium-sized scenes, such as homes/residences, small-sized retail stores, and other small and medium-sized enterprises.

Functions

Power over Ethernet

This product uses the latest PoE technology to troubleshoot the occurrence of any issues in the system making it easier to use. With the help of this technology, your camera now only consumes energy directly from the power supply and doesn't require any mid-way switches.



CP-UNC-DA41PL3C-D

4MP WDR IR Network Dome Camera - 30Mtr.

Functions

Wide Dynamic Range (WDR)

When a scene is partly dark and partly bright, that is the dynamic range that distorts images due to this difference in the lighting. WDR technology provides you balanced lighting for a clear and vivid image throughout the day. WDR technology can be installed at entry/exit points of any building structure, jewellery shops, outdoor location among so many other places.

Live Viewing

Unlike some, this technology enables you to record the picture feed but view it live as well at your convenience. On top of that, the advantages of high-resolution video recording are numerous.

Regions of Interest

Regions of Interest (ROI) is a user defined feature that allows the operator to monitor specific areas of a scene while still maintaining overall situational awareness of less important areas.

True Day/Night (ICR)

When the scene is too dark, the image is captured by illuminating an infrared light through the camera onto the scene that greatly helps with making the scene visible for the lens. It delivers color images during the day and automatically switches to the monochrome feature as the scene darkens.

gCMOB/ iCMOB

Designed to allow users to access and control live streaming from CP PLUS IP Cameras, DVRs/ NVRs and Video Door Phones, the CP PLUS gCMOB/ iCMOB application offers a host of features such as Easy GUI, up to 16 live viewing split-ups; InstaOn cloud support; Playback; digital zoom ins; two-way talk, and more.

KVMS Pro

The KVMS Pro is a hybrid security management software that allows the management of various surveillance devices such as cameras, DVRs/ NVRs, encoders/ decoders, etc. It is released with the surveillance hardware and exclusively supports CP PLUS devices.

About CP PLUS

The brand that is on its way to lead the world when it comes to the security and surveillance industry, CP PLUS, keeps bombarding the market with the most reliable range of products that have been designed carefully and methodically to automate the whole surveillance and security process, no matter how big your premises are.

It was the initiative to help the public in the area where they are the most vulnerable and to empower the sense of safety in our hearts that had conceptualized CP PLUS. And embarking on its mission to make the world a safer and more secure place has taken the brand's journey to unprecedented levels even when compared to international competitors.



CP-UNC-DA41PL3C-D

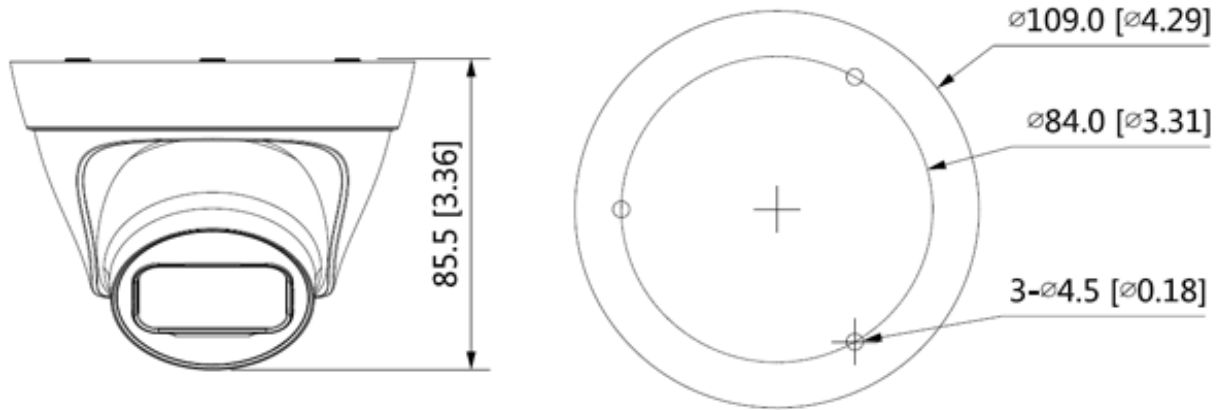
4MP WDR IR Network Dome Camera - 30Mtr.

Feature	Specification
Image Sensor	1/3" 4MP Progressive scan CMOS (0.84667cm)
Minimum Illumination	0.03Lux@F2.0
Effective Pixels	2688(H) x 1520(V)
Shutter Speed	Auto/Manual, 1/3~1/100000s
S/N Ratio	>56dB
RAM & ROM	128MB & 128MB
White Balance	Auto/natural/street lamp/outdoor/manual/regional custom
Lens	3.6mm (2.8mm Optional)
Lens Type	Fixed-focal
Mount Type	M12
Max. Aperture	F2.0
Iris Type	Fixed
Close Focus Distance	2.8mm- 0.8m ; 3.6mm- 1.4m
DORI Distance	3.6mm- 80m (Detect) 32m (Observe) 16m (Recognize) 8m (Identify) 2.8mm- 50m (Detect) 22.4m (Observe) 11.2m (Recognize) 15.1m (Identify)
Gain Control (AGC)	Auto/Manual
Video Compression	Smart H.265+/H.265/Smart H.264+/H.264/ H.264B/ MJPEG (only Sub Stream Support)
Angle of View	3.6mm: Horizontal: 81° Vertical: 44° Diagonal: 95° 2.8mm: Horizontal:93° Vertical: 53° Diagonal: 111°
Back Light Compensation	BLC / HLC / WDR(120dB)
Video Streaming	Main Stream: 2688 × 1520 (1 fps–20 fps) 2560 × 1440 (1 fps–25/30 fps) Sub Stream: 704 × 576 (1 fps–20/25 fps) 704 × 480 (1 fps–20/30 fps)
Resolution	2688 × 1520 (2688 × 1520); 2560 × 1440 (2560 × 1440); 2304 × 1296 (2304 × 1296); 1080p (1920 × 1080); 1.3M (1280 × 960); 720p (1280 × 720); D1 (704 × 576/704 × 480); VGA (640 × 480); CIF (352 × 288/352 × 240)
Mirror	Yes

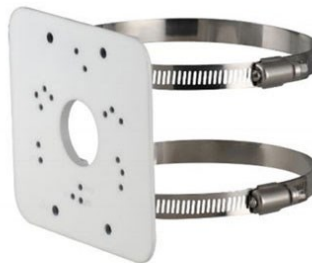
Feature	Specification
Motion detection	Off / On (4 area, Rectangle)
Privacy Mask	4 Area
ICR	Auto (ICR)/Color/B/W
ROI	Yes (4 areas)
Noise Reduction	3D-DNR
Video Bit Rate	H.265: 12 Kbps–6144 Kbps H.264: 32 Kbps–6144 Kbps
Image Rotation	0°/90°/180°/270° (Support 90°/270° with 2688 × 1520 resolution and lower.)
Bit Rate	CBR/VBR
Audio	Built-in Mic
Audio Compression	G.711A; G.711Mu; G.726
Protocol	IPv4; IPv6; HTTP; TCP; UDP; ARP; RTP ; RTSP; RTCP; RTMP; SMTP; FTP; SFTP; DHCP; DNS; DDNS; QoS; UPnP; NTP; Multicast; ICMP; IGMP; NFS; PPPoE; Bonjour, ONVIF (Profile S/Profile G/Profile T); CGI; Milestone; Genetec; InstaOn
Alarm Event	Network disconnection; IP conflict; motion detection; video tampering; illegal access; voltage detection; security exception
Cyber Security	Video encryption; firmware encryption; configuration encryption; Digest; WSSE; account lock-out; security logs; IP/MAC filtering; generation and importing of X.509 certification; syslog; HTTPS; 802.1x; trusted boot; trusted execution; trusted upgrade
Ethernet	RJ-45 (10/100Base-T)
SDK and API	Yes
User/Host	20 Users
Smart Phone	iPhone, iPad, Android Phone
IR	IR Range of 30 Mtr.
No of IR LEDs	1
Browser	IE, Chrome, Firefox
Edge Storage	FTP; NAS; SFTP
Operating Temperature	-40°C to +55°C (-40°F to +131°F) /less than≤95%

Feature	Specification
Storage Temperature	-40°C to +60°C (-40°F to +140°F)
Power Source	DC12V, PoE (802.3af)
Power Consumption	<5.1W
Weatherproof Standard	IP67
Casing	Inner core: metal+ plastic; cover: plastic
Dimension	85.5 mm × Φ109 mm (3.4" × Φ4.3")
Weight	0.25 kg

Dimensions (mm/inch)



Accessories : Optional



CP-UA-B2P
Pole Mount